



Sovitron Interior Pvt.Ltd.



Model Name

Sigma Soft Pendant / DLASSSDPD-35

Description

Architectural Light

Technical description

Image

Dimension

L=600mm
H=60mm/90mm

Frame

Aluminium

Color Tempertaure

4000K

Power

35W

Total Luminous Flux

3150 lm

Efficacy

90 lm/W

IP rating

50

Color Rendering

≥80

Mounting

Pendant

Optics

White Opal Diffuser

Dimming

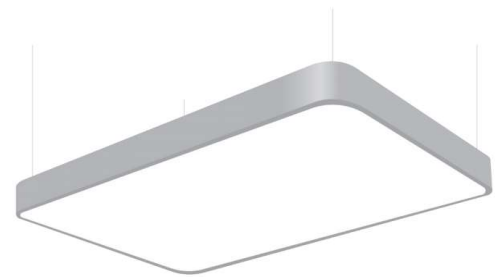
NON-Dimmable

Operating Voltage

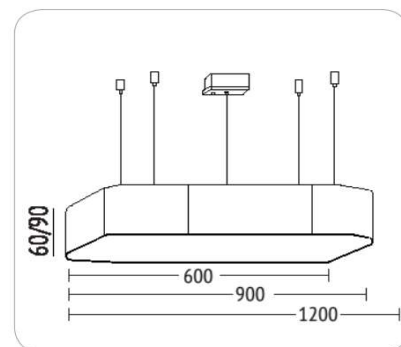
220-240 VAC

Standard Lifetime

L70 minimum at 50,000
burning hours



Dimension diagram



Custom dimension, coating and installation
available upon request

Remarks:-

Address: Plot #7 Saroorpur-Nangla Industrial Area,Ballabgarh-Sohna Road,Faridabad-121005

Email: info@sovitron.com